

2WS_B

Submersible Sewage Pump 2" NPT Discharge, 2" Solids Handling



Specifically designed for the following uses: Homes, sewage systems, dewatering/effluent, water transfer.

MOTOR INFORMATION

General:

Class "B" insulation
Oil-filled design

Single Phase:

Capacitor start
Built-in automatic reset overload
115 V – .33 and .5 HP
208 V – .33-1 HP
230 V – .33-1 HP

Three Phase:

Overloads required in control panel
200 V – .5-1 HP
230 V – .5-1 HP
460 V – .5-1 HP
575 V – .5-1 HP

Capacities: up to 185 GPM.

Total heads: up to 38 feet TDH.

Temperature: 104°F (40°C) continuous;
140°F (60°C) intermittent.

See Model Information for specific HP, voltage, phase and RPM's available.

Impeller: Cast iron, semi-open, dynamically balanced, non-clog with pump out vanes for mechanical seal protection. Optional silicon bronze impeller available.

Casing: Cast iron volute type for maximum efficiency. Designed for easy installation on A10-20 guide rail.

Mechanical Seal: Silicon carbide vs. silicon carbide sealing faces for superior abrasive resistance, stainless steel metal parts, BUNA-N elastomers.

Shaft: Corrosion-resistant stainless steel. Threaded design. Locknut on all models to guard against component damage on accidental reverse rotation.

Fasteners: 300 series stainless steel.

Operation: Capable of running dry without damage to components.



Tested to UL 778 and
CSA 22.2 108 Standards
By Canadian Standards
Association

Red Jacket Water Products is a licensed trademark.

The ITT Engineered Blocks symbol is a registered trademark and tradename of ITT Industries.

Visit us at: www.redjacketwaterproducts.com

Effective March, 2003

BRJ2WSB-R0

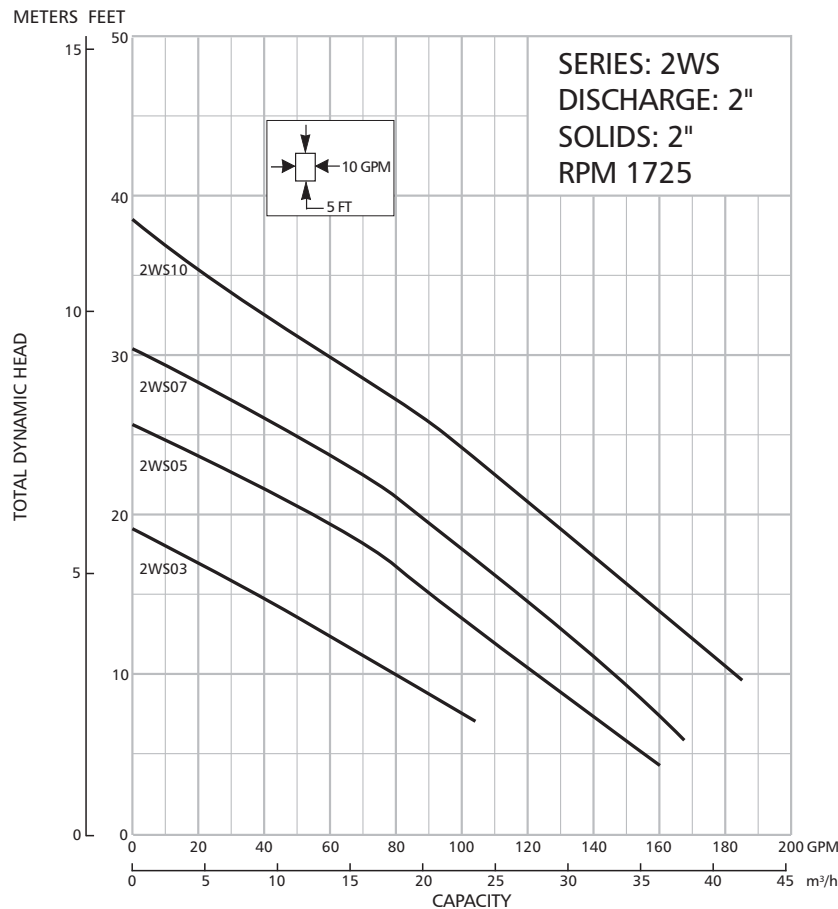


ITT Industries

2WS_B

Submersible Sewage Pump 2" NPT Discharge, 2" Solids Handling

PERFORMANCE CURVE



MOTOR FEATURES

Single phase (60 Hz):

1/3 and 1/2 HP – 16/3 SJTOW with 115V or 230V molded NEMA three prong grounding plug.

3/4 and 1 HP – 14/3 STOW with bare leads.

Three phase (60 Hz):

1/2-1 HP – 14/4 STOW with bare leads.

Bearings: Upper and lower heavy duty ball bearing construction.

Designed for Continuous Operation: Pump ratings are within the motor manufacturer's recommended working limits, can be operated continuously without damage when fully submerged.

Power Cable: Severe duty rated, oil and water resistant. Epoxy seal on motor end provides secondary moisture barrier in case of outer jacket damage and to prevent oil wicking. Standard cord is 20'. Optional lengths are available.

Motor Cover O-ring: Assures positive sealing against contaminants and oil leakage.

PERFORMANCE RATINGS (gallons per minute)

Order No.	2WS03	2WS05	2WS07	2WS10
HP ▶	1/3	1/2	3/4	1
RPM ▶	1750	1750	1750	1750
Total Head Feet of Water	10 ▶	80	122	145
	15	36	90	116
	20	–	50	86
	25	–	–	48
	30	–	–	–
	35	–	–	–



2WS_B

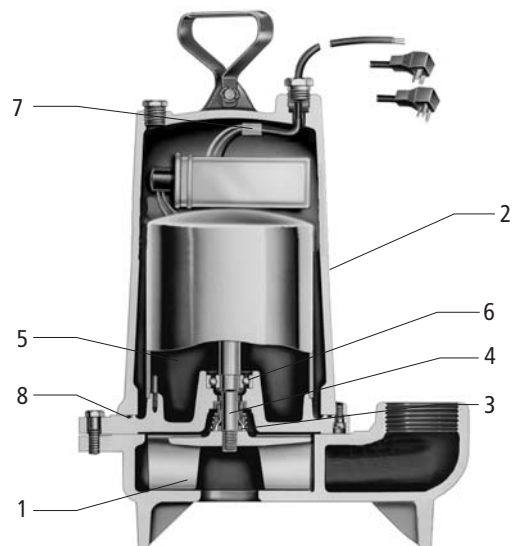
Submersible Sewage Pump 2" NPT Discharge, 2" Solids Handling

MODEL INFORMATION

Order Number	HP	PH	Volts	RPM	Impeller Dia. (in.)	Max. Amps	LRA	KVA Code	Full Load Motor Eff.	ResistanceWt.		(lbs.)	
										Start	Line-Line		
2WS0311B	0.33	1	115	1750	4.69	10.7	25.6	L	53.5	9.3	1.4	63	
2WS0318B			208			6.8	19.5	K	51.1	9.1	4.2		
2WS0312B			230			4.9	14.1	L	52.5	11.7	5.6		
2WS0511B	0.5	1	115		5.00	5.00	14.5	31.1	J	54.6	9.3	1.4	65
2WS0518B			208				8.0	19.5	K	51.1	9.1	4.2	
2WS0512B			230				7.3	16.5	J	54.1	11.7	5.6	
2WS0538B		3	200			3.8	12.3	K	74.6	NA	6.7		
2WS0532B			230			3.3	9.7	K	75	NA	9.9		
2WS0534B			460			1.7	4.9	K	75	NA	39.4		
2WS0537B	575	1.4	4.3		K	68.2	NA	47.8					
2WS0718B	0.75	1	208		5.38	5.38	11.0	39.0	K	64.5	2.6	1.4	85
2WS0712B			230				9.4	24.8	J	57	4.3	1.8	
2WS0738B		3	200	4.1			21.2	H	74.3	NA	4.3		
2WS0732B			230	3.6			17.3	J	76.3	NA	5.6		
2WS0734B			460	1.8			8.8	J	76.3	NA	22.4		
2WS0737B			575	1.5			7.3	J	71.3	NA	28.2		
2WS1018B	1	1	208	5.75	5.75	14.0	39.0	K	64.5	2.6	1.4	85	
2WS1012B			230			12.3	30.5	H	59.6	4.3	1.8		
2WS1038B		3	200			6.0	21.2	H	74.3	NA	4.3		
2WS1032B			230			5.8	17.3	J	76.3	NA	5.6		
2WS1034B			460			2.9	8.8	J	76.3	NA	22.4		
2WS1037B			575			2.4	7.3	J	71.3	NA	29.2		

COMPONENTS

Item No.	Description
1	Multi-vane non-clog cast iron impeller
2	Electrocoat paint outside and inside
3	Silicon carbide vs. silicon carbide mechanical seal
4	Stainless steel shaft
5	High grade turbine oil
6	All ball bearing heavy duty design
7	Epoxy sealed cable
8	O-ring seal



2WS_B

Submersible Sewage Pump 2" NPT Discharge, 2" Solids Handling

DIMENSIONS

(All dimensions are in inches. Do not use for construction purposes.)

